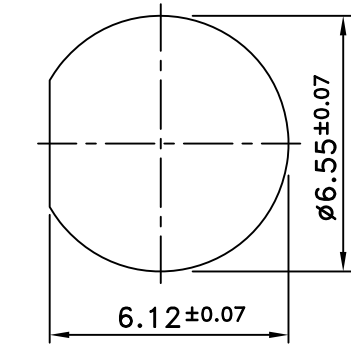
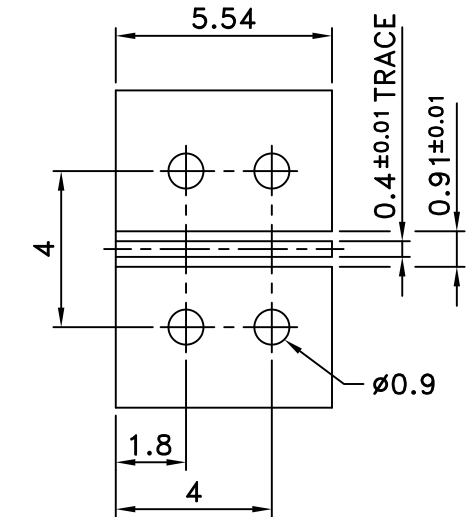
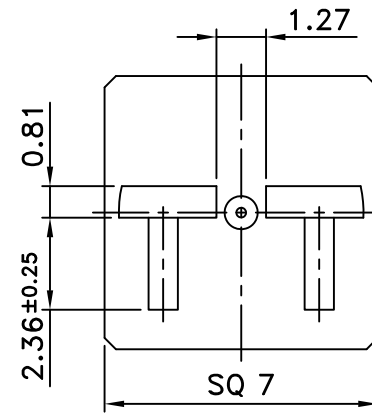
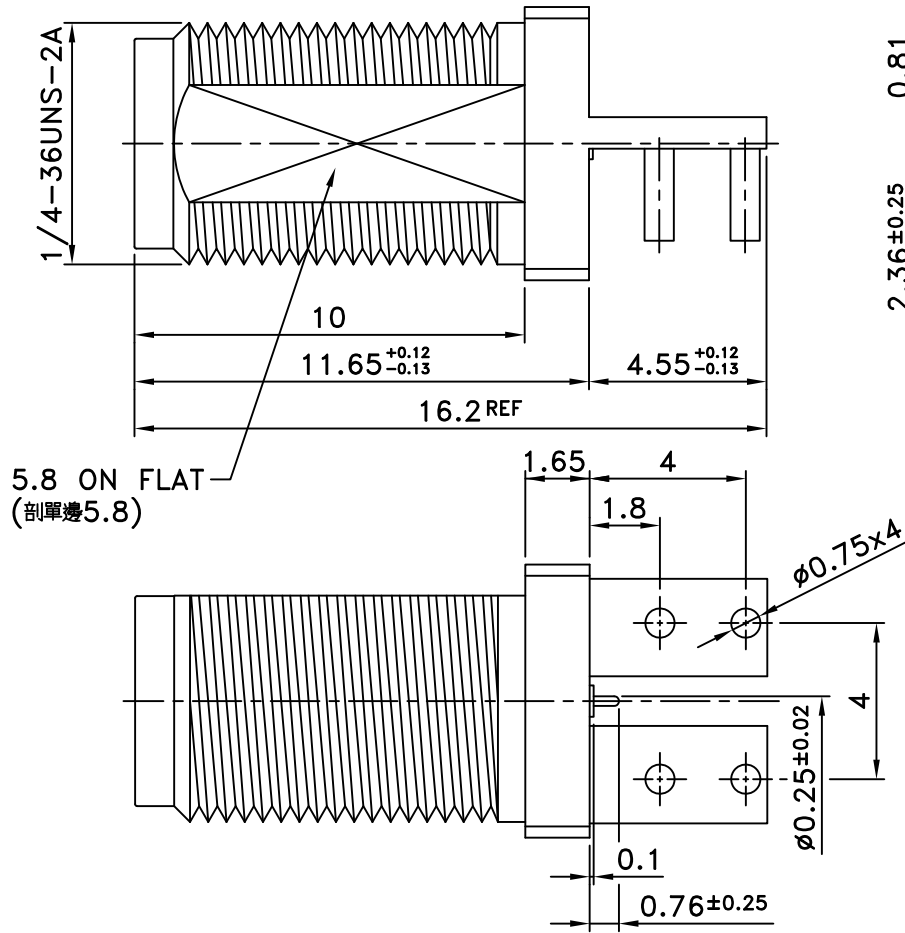


EDITION	DESCRIPTION	DRAWN	DATE



RECOMMENDED MOUNTING HOLE
(建議架設孔)



PCB MOUNTING HOLES
(印电路板架設孔)

ELECTRICAL
FREQUENCY RANGE: 0-26.5 GHz
NOMINAL IMPEDANCE: 50 OHM

NOTES: FINISH (PLATING THICKNESS IN MICRO-INCHES)
1. GOLD PL. 10 MIN. THICK OVER NICKEL PL. 100 MIN. THICK OVER COPPER PL. 50 MIN. THICK
2. GOLD PL. 50 MIN. THICK OVER NICKEL PL. 50 MIN. THICK OVER COPPER PL. 50 MIN. THICK



ChoiceRight Electronic Inc

TOLERANCES
DIMENSIONS ARE IN MILLIMETER

UNLESS OTHERWISE NOTED TOLERANCES
0.5-6=±0.2
6-30=±0.4
30-120=±0.6
120-315=±1.0
ANGLES=±1°

TITLE
SMA END LAUNCH RECEPTACLE JACK
Edit Code.
SMAFS014045000-16

CHECKED
J. Lin
DRAWER
Eddie

FILE NO. E:
EDITION: B DATE 04/13/15

SCALE 5/1 UNIT MM

3	INSULATOR	1	PTFE	NATURAL
2	PIN	1	BEUC	NOTE 2
1	BODY	1	BRASS	NOTE 1
NO	DESCRIPTION	Q'TY	MATERIAL	FINISH